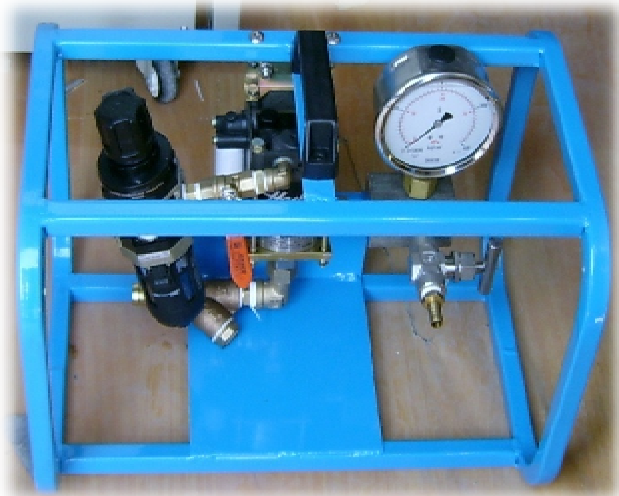


A-TYPE

****** SPECIFICATION ******



- STANDARD MODEL / **A/HHW-MS-188**
- AIR WORKING PRESSURE / **0.15Mpa ~ 0.6Mpa.**
- LIQUID WORKING PRESSURE / **18.8Mpa ~ 112Mpa.**
- PUMP DRIVEN FLUID / **WATER & OIL VG46**
- LIQUID PRESSURE CONTROL / **AIR REGULATOR.**
- AIR REGULATOR CONTROL RAGE / **18.8Mpa ~ 112Mpa.**
- AIR DRIVEN PUMP M/K / **HASKEL®**
- FRAME SIZE (mm) / **W350 X L450 X H350**

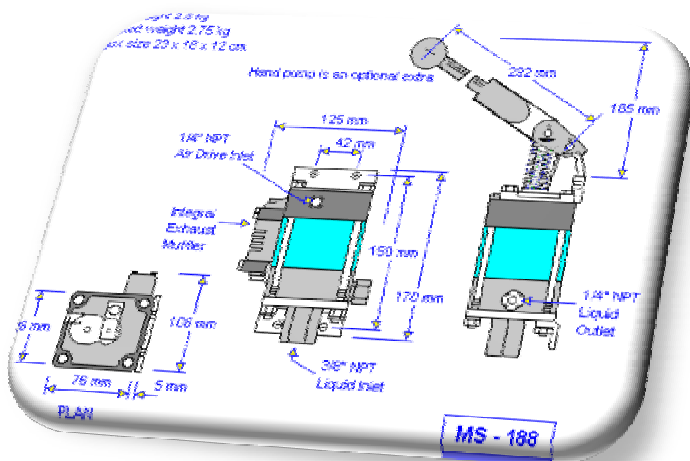


※ ACCESSORY LIST ※

- AIR FILTER REGULATOR(GAUGE부착형)
- AIR ON/OFF VALVE
- LIQUID INLET LINE FILTER
- MANIFOLD
- PRESSURE GAUGE / 100mm X 1600BAR A/T
- DRAIN VALVE

※OPTION ACCESSORY = DIGITAL GAUGE

PUMP DWG



PRESSURE & FLOW RAGE

