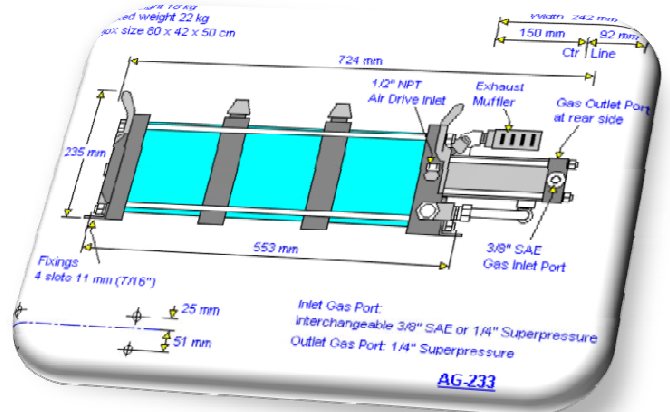
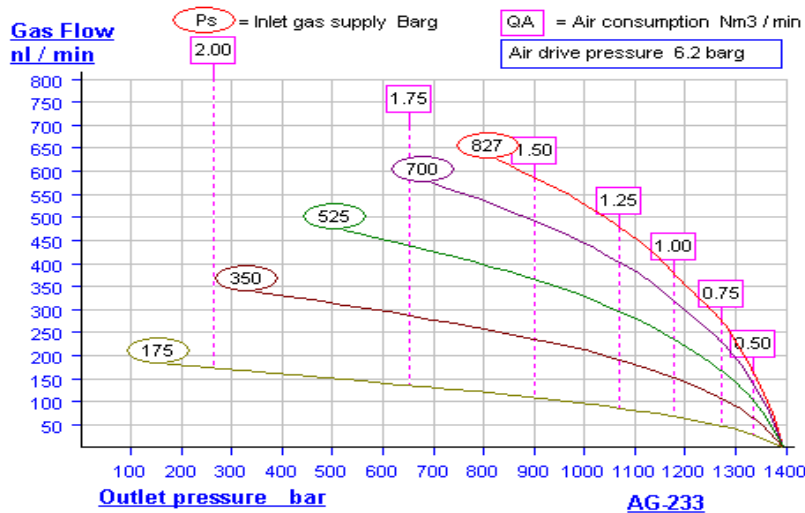


**# BOOSTER DWG**



**\*\*\*\* SPECIFICATION \*\*\*\***

- STANDARD GAS BOOSTER MODEL : **HAG-AG-233-P-T500**
- WORKING PRESSURE ( P-1 ) : 110Mpa. ( 1,100BAR ) / 아래 성능그래프 참조.  
( AIR DRIVEN PRESSURE = 0.6Mpa AIR DRIVEN )
- WORKING PRESSURE ( P-2 ) : **GAS PRESSUE REGULATOR 미포함.**  
( GAS CONTROL TYPE : AIR PILOT VALVE CONTROL )
- MINIMUM GAS INLET PRESSURE : 1.72Mpa. ( 17.2BAR )
- GAS BOOSTER M/K : **HASKEL ®**
- PRESSURE & FLOW RAGE ( P=BAR , FL=nl/min )



- STANDARD GAS RECEIVER : 미포함.
- PRESSURE GAUGE : AIR = 100mm X 1Mpa TYPE = BD  
GAS INLET PRESSURE = 100mm X 15Mpa TYPE = BD  
GAS OUTLET PRESSURE ( P=1 ) = 100mm X 160Mpa TYPE = BD  
GAS OUTLET PRESSURE ( P=2 ) = 미포함.