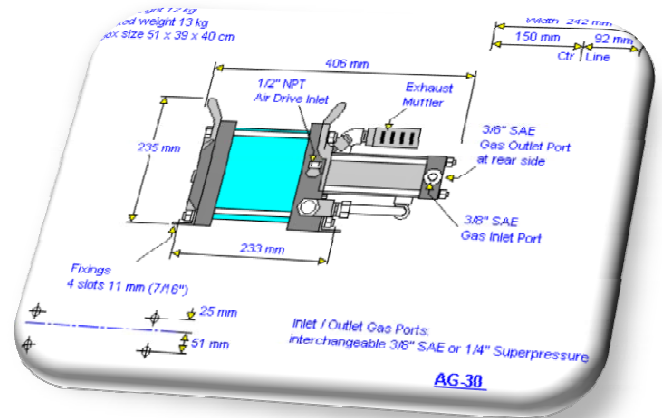
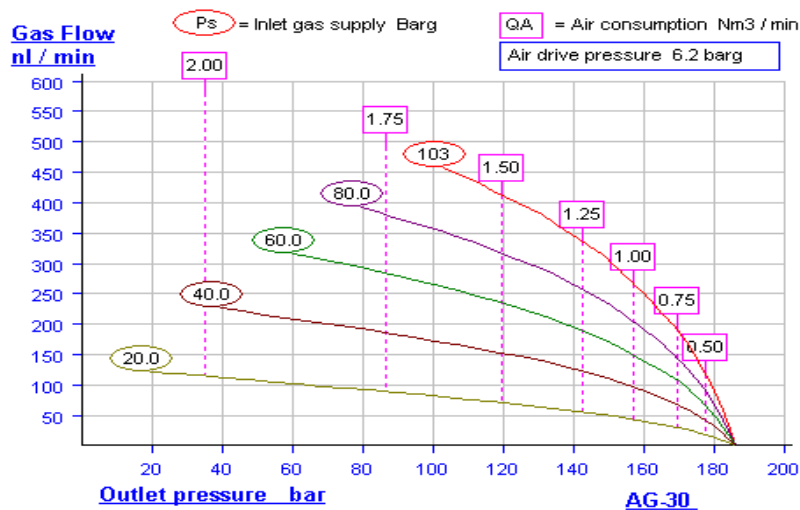


BOOSTER DWG



****** SPECIFICATION ******

- STANDARD GAS BOOSTER MODEL : *HAG-AG-30-P-T500*
- WORKING PRESSURE (P-1) : 20Mpa. (200BAR)
 (AIR DRIVEN PRESSURE = 0.6Mpa AIR DRIVEN)
- WORKING PRESSURE (P-2) : 17.5Mpa. (175BAR)
 (GAS CONTROL TYPE : GAS REGULATOR CONTROL)
- MINIMUM GAS INLET PRESSURE : 0.69Mpa. (6.9BAR)
- GAS BOOSTER M/K : *HASKEL ®*
- PRESSURE & FLOW RAGE (P=BAR , FL=nl/min)



- STANDARD GAS RECEIVER : 500ml STANLESS STEEL
- PRESSURE GAUGE : AIR = 100mm X 1Mpa TYPE = BD
 GAS INLET PRESSURE = 100mm X 15Mpa TYPE = BD
 GAS OUTLET PRESSURE (P=1) = 100mm X 25Mpa TYPE = BD
 GAS OUTLET PRESSURE (P=2) = 100mm X 25Mpa TYPE = BD