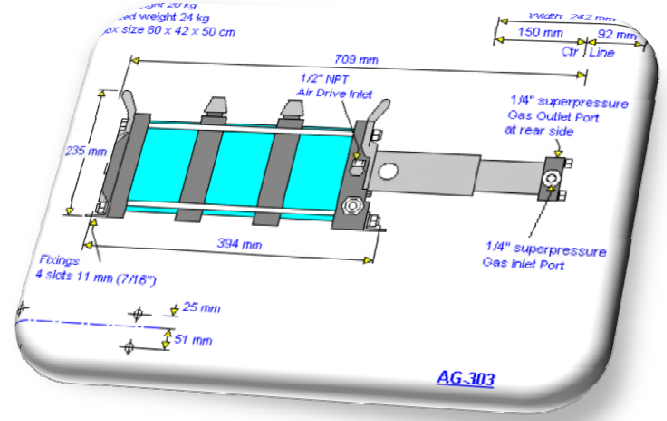
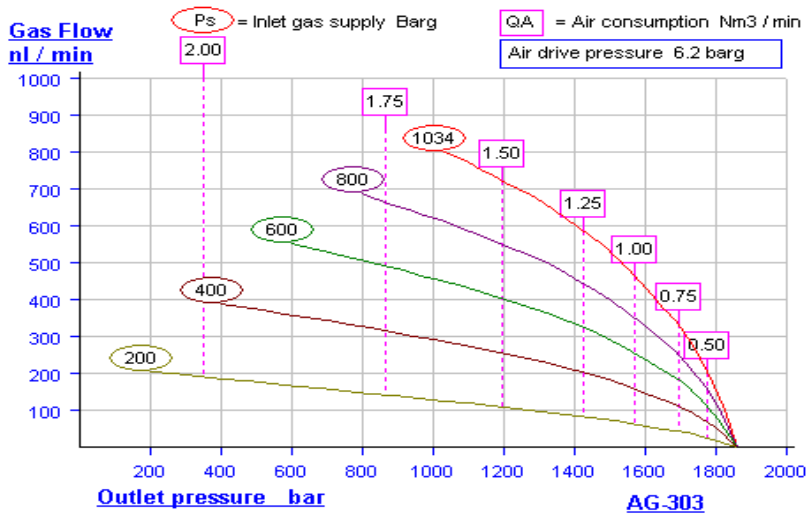


**# BOOSTER DWG**



**\*\*\*\* SPECIFICATION \*\*\*\***

- STANDARD GAS BOOSTER MODEL : **HAG-AG-303-P**
- WORKING PRESSURE ( P-1 ) : 130Mpa. ( 1,300BAR ) / 아래 성능그래프 참조.  
( AIR DRIVEN PRESSURE = 0.6Mpa AIR DRIVEN )
- WORKING PRESSURE ( P-2 ) : **GAS PRESSURE REGULATOR 미포함.**  
( GAS CONTROL TYPE : AIR PILOT VALVE CONTROL )
- MINIMUM GAS INLET PRESSURE : 0.35Mpa. ( 3.5BAR )
- GAS BOOSTER M/K : **HASKEL ®**
- PRESSURE & FLOW RAGE ( P=BAR , FL=nl/min )



- STANDARD GAS RECEIVER : 미포함.
- PRESSURE GAUGE : AIR = 100mm X 1Mpa TYPE = BD  
GAS INLET PRESSURE = 100mm X 15Mpa TYPE = BD  
GAS OUTLET PRESSURE ( P=1 ) = 100mm X 200Mpa TYPE = BD  
GAS OUTLET PRESSURE ( P=2 ) = 미포함.