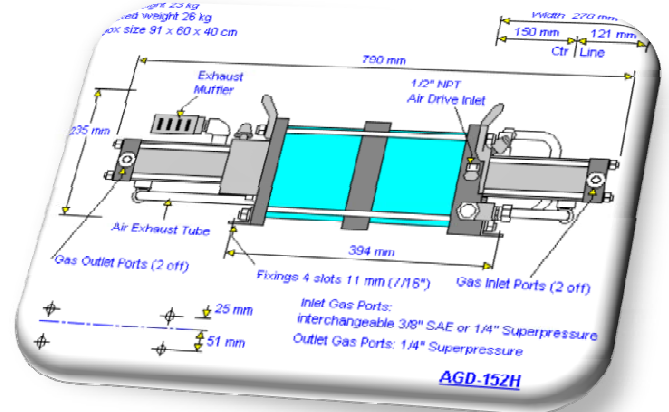
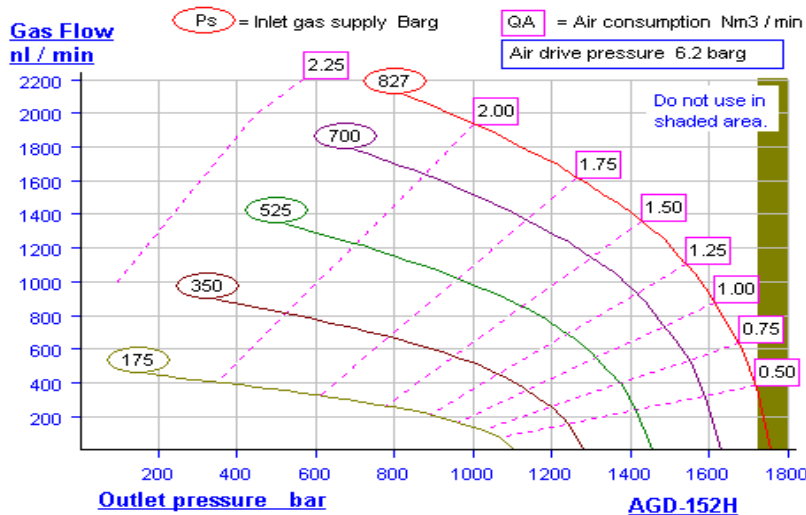


BOOSTER DWG



****** SPECIFICATION ******

- STANDARD GAS BOOSTER MODEL : **HAG-AGD-152-P-T500**
- WORKING PRESSURE (P-1) : **70Mpa. (700BAR)**
 (AIR DRIVEN PRESSURE = 0.6Mpa AIR DRIVEN)
- WORKING PRESSURE (P-2) : **69Mpa. (690BAR)**
 (GAS CONTROL TYPE : GAS REGULATOR CONTROL)
- MINIMUM GAS INLET PRESSURE : **1.72Mpa. (17.2BAR)**
- GAS BOOSTER M/K : **HASKEL ®**
- PRESSURE & FLOW RAGE (P=BAR , FL=nl/min)



- STANDARD GAS RECEIVER : **500ml STANLESS STEEL**
- PRESSURE GAUGE : AIR = 100mm X 1Mpa TYPE = BD
 GAS INLET PRESSURE = 100mm X 15Mpa TYPE = BD
 GAS OUTLET PRESSURE (P=1) = 100mm X 100Mpa TYPE = BD
 GAS OUTLET PRESSURE (P=2) = 100mm X 100Mpa TYPE = BD