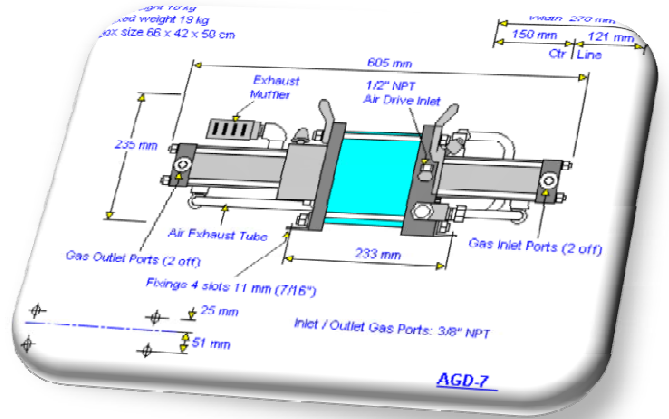
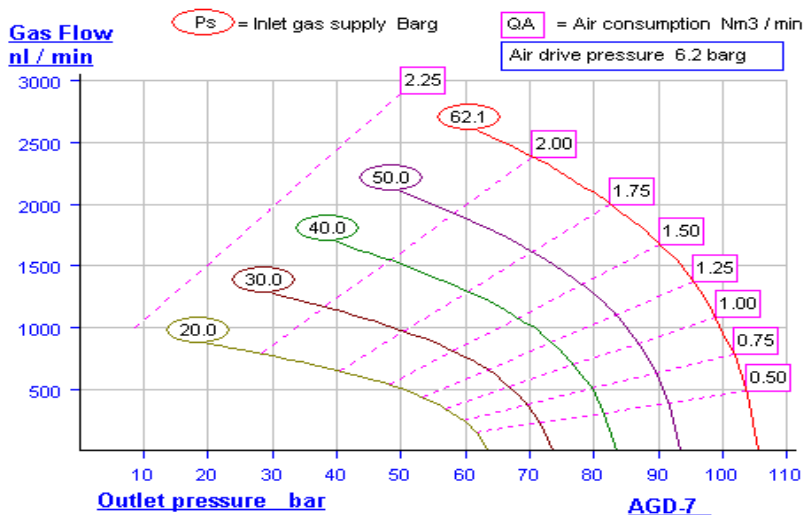


BOOSTER DWG



****** SPECIFICATION ******

- STANDARD GAS BOOSTER MODEL : **HAG-AGD-7-P-T1L**
- WORKING PRESSURE (P-1) : **4Mpa. (40BAR)**
(AIR DRIVEN PRESSURE = 0.6Mpa AIR DRIVEN)
- WORKING PRESSURE (P-2) : **4Mpa. (40BAR)**
(GAS CONTROL TYPE : GAS REGULATOR CONTROL)
- MINIMUM GAS INLET PRESSURE : **0.17Mpa. (1.7BAR)**
- GAS BOOSTER M/K : **HASKEL ®**
- PRESSURE & FLOW RAGE (P=BAR , FL=nl/min)



- STANDARD GAS RECEIVER : **1L STANLESS STEEL**
- PRESSURE GAUGE : AIR = 100mm X 1Mpa TYPE = BD
GAS INLET PRESSURE = 100mm X 1Mpa TYPE = BD
GAS OUTLET PRESSURE (P=1) = 100mm X 5Mpa TYPE = BD
GAS OUTLET PRESSURE (P=2) = 100mm X 5Mpa TYPE = BD