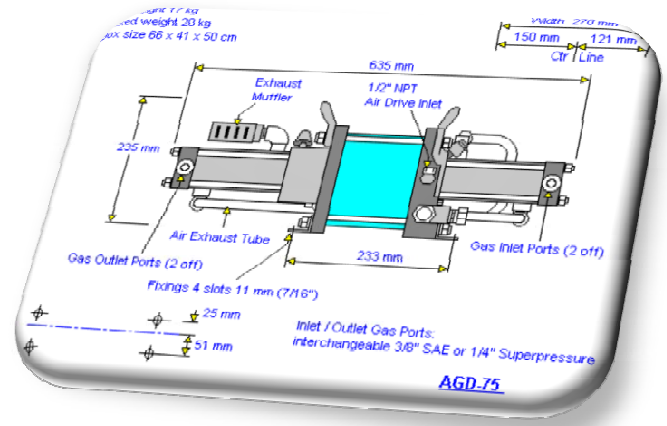
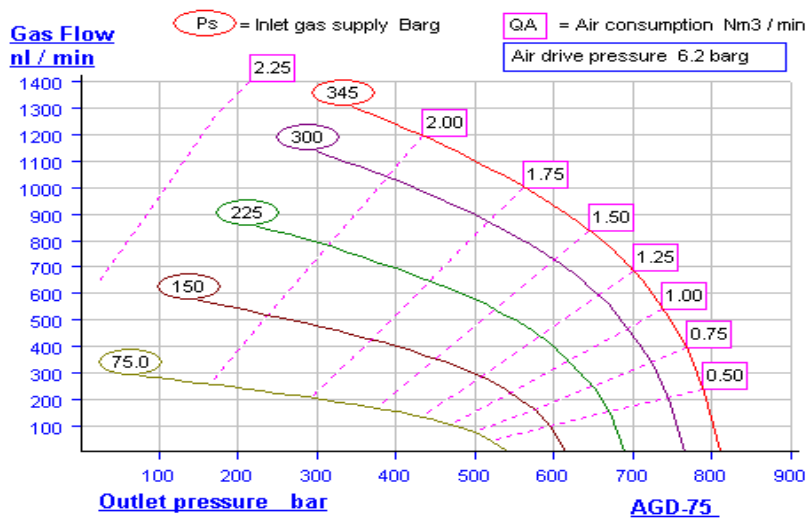


BOOSTER DWG



****** SPECIFICATION ******

- STANDARD GAS BOOSTER MODEL : *HAG-AGD-75-P-T500*
- WORKING PRESSURE (P-1) : 45Mpa. (450BAR)
(AIR DRIVEN PRESSURE = 0.6Mpa AIR DRIVEN)
- WORKING PRESSURE (P-2) : 40Mpa. (400BAR)
(GAS CONTROL TYPE : GAS REGULATOR CONTROL)
- MINIMUM GAS INLET PRESSURE : 1.72Mpa. (17.2BAR)
- GAS BOOSTER M/K : *HASKEL ®*
- PRESSURE & FLOW RAGE (P=BAR , FL=nl/min)



- STANDARD GAS RECEIVER : 500ml STANLESS STEEL
- PRESSURE GAUGE : AIR = 100mm X 1Mpa TYPE = BD
GAS INLET PRESSURE = 100mm X 15Mpa TYPE = BD
GAS OUTLET PRESSURE (P=1) = 100mm X 60Mpa TYPE = BD
GAS OUTLET PRESSURE (P=2) = 100mm X 60Mpa TYPE = BD