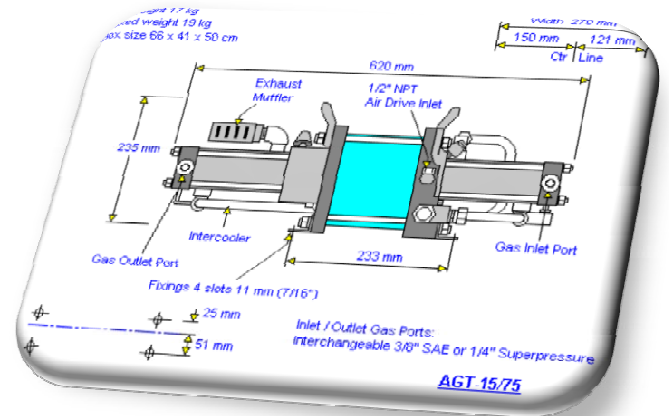
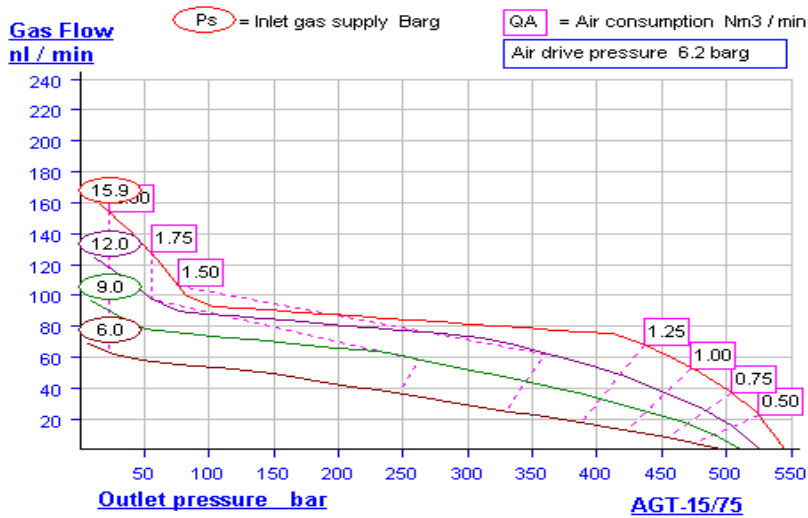


BOOSTER DWG



****** SPECIFICATION ******

- STANDARD GAS BOOSTER MODEL : **HAG-AGT-15/75-P-T500**
- WORKING PRESSURE (P-1) : **45Mpa. (450BAR)**
(AIR DRIVEN PRESSURE = 0.65Mpa AIR DRIVEN)
- WORKING PRESSURE (P-2) : **41.4Mpa. (414BAR)**
(GAS CONTROL TYPE : GAS REGULATOR CONTROL)
- MINIMUM GAS INLET PRESSURE : **0.35Mpa. (3.5BAR)**
- GAS BOOSTER M/K : **HASKEL ®**
- PRESSURE & FLOW RAGE (P=BAR , FL=nl/min)



- STANDARD GAS RECEIVER : 500ml STANLESS STEEL
- PRESSURE GAUGE : AIR = 100mm X 1Mpa TYPE = BD
GAS INLET PRESSURE = 100mm X 15Mpa TYPE = BD
GAS OUTLET PRESSURE (P=1) = 100mm X 60Mpa TYPE = BD
GAS OUTLET PRESSURE (P=2) = 100mm X 60Mpa TYPE = BD