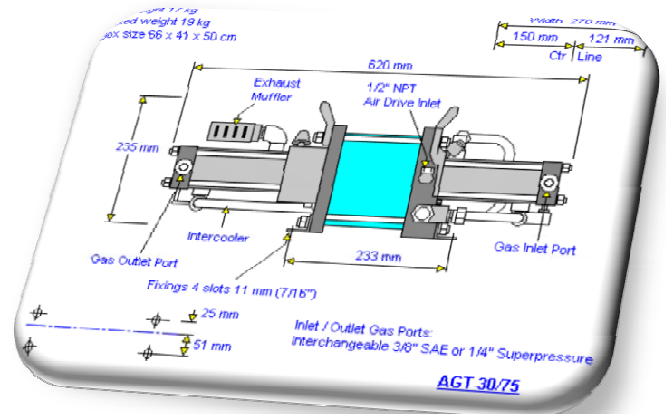
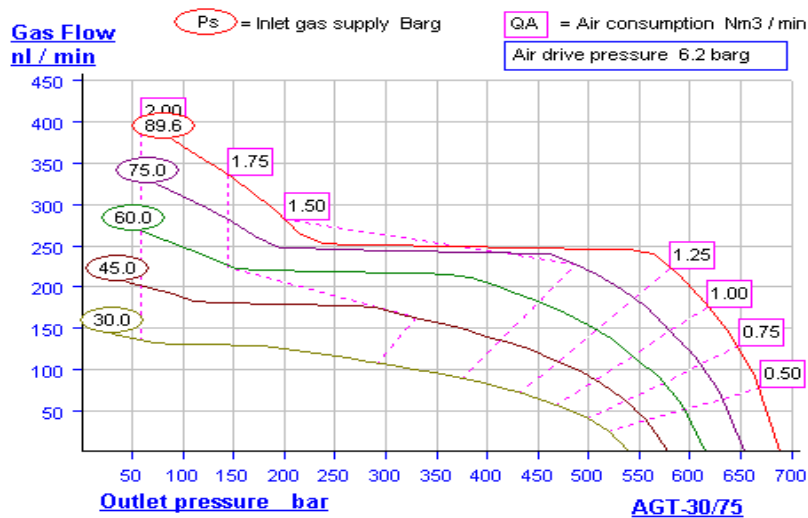


BOOSTER DWG



****** SPECIFICATION ******

- STANDARD GAS BOOSTER MODEL : **HAG-AGT-30/75-P-T500**
- WORKING PRESSURE (P-1) : 45Mpa. (450BAR)
 (AIR DRIVEN PRESSURE = 0.65Mpa AIR DRIVEN)
- WORKING PRESSURE (P-2) : 41.4Mpa. (414BAR)
 (GAS CONTROL TYPE : GAS REGULATOR CONTROL)
- MINIMUM GAS INLET PRESSURE : 0.7Mpa. (7BAR)
- GAS BOOSTER M/K : **HASKEL ®**
- PRESSURE & FLOW RAGE (P=BAR , FL=nl/min)



- STANDARD GAS RECEIVER : 500ml STANLESS STEEL
- PRESSURE GAUGE : AIR = 100mm X 1Mpa TYPE = BD
 GAS INLET PRESSURE = 100mm X 15Mpa TYPE = BD
 GAS OUTLET PRESSURE (P=1) = 100mm X 60Mpa TYPE = BD
 GAS OUTLET PRESSURE (P=2) = 100mm X 60Mpa TYPE = BD