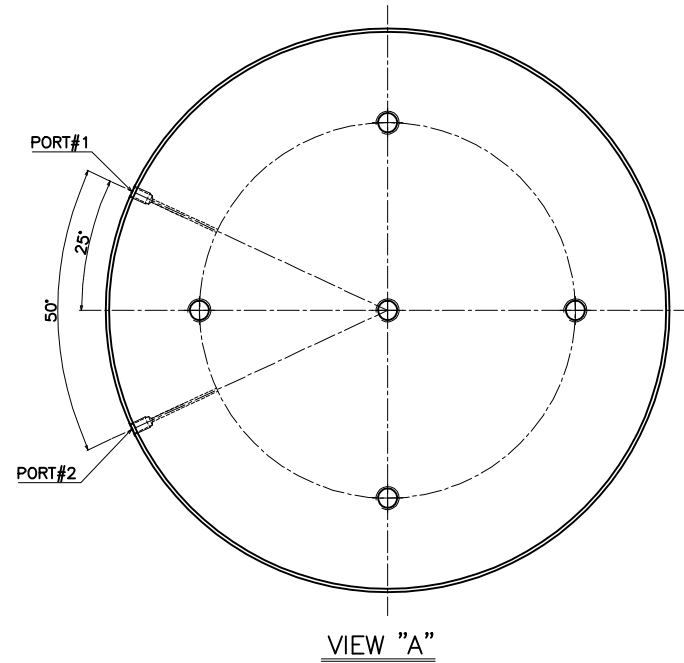
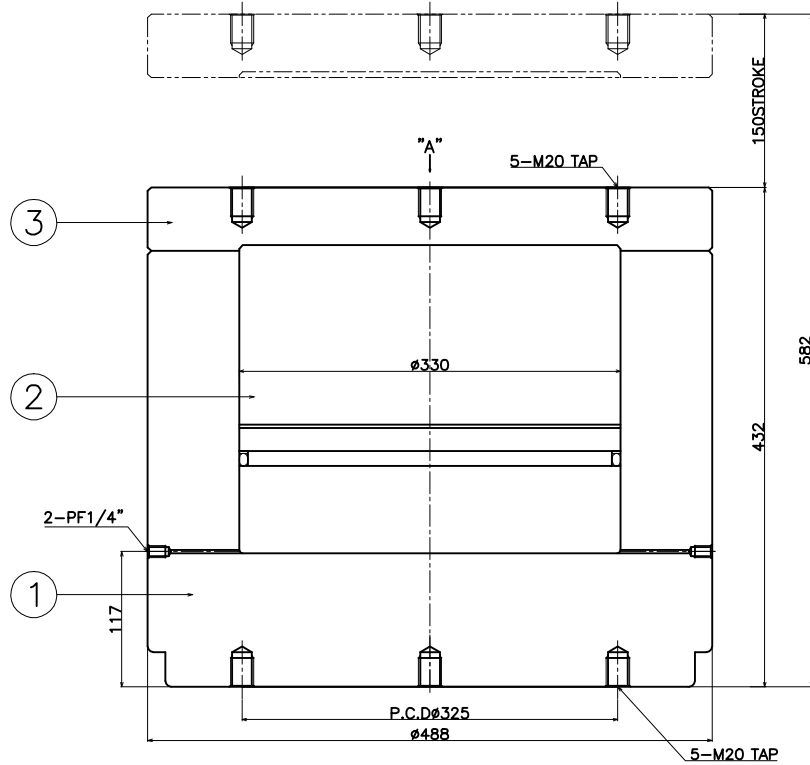


- * hydraulic cylinder
- capacity : 1200ton
- piston area(A) : 855cm²
- maximum pressure : 2000kgf/cm²
- working pressure : 1500kgf/cm²
- stroke : 150mm
- hydraulic coupler : PF1/4"
- weight : about 625kg



NO.	DESCRIPTION	SPECIFICATION	MATERIAL	Q'TY	REMARKS
1	TUBE	#488*377	SCM440	1EA	HYDMAG
2	PISTON	#330*286.5	S45C	1EA	HYDMAG
3	COVER	#488*55	SS400	1EA	HYDMAG

1200Ton*150Stk

CUSTOMER	-		
PROJECT	HYDRAULIC CYLINDER		
HydMag KOREA HYDMAG CORP.			
APP'D	000624	H.S.H	TITLE
CHK'D	000624	K.J.K	LAY - OUT
DES'D	000624	K.H.T	SCALE
DWN	000624	C.L.K	DWG NO
		KOR-HD01-010...	

ITEM No.