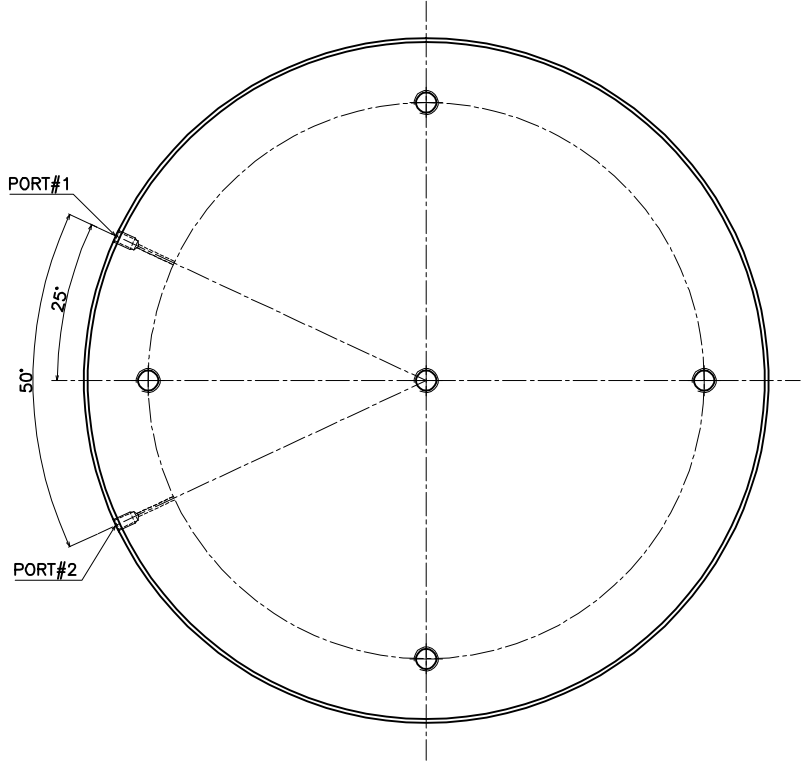
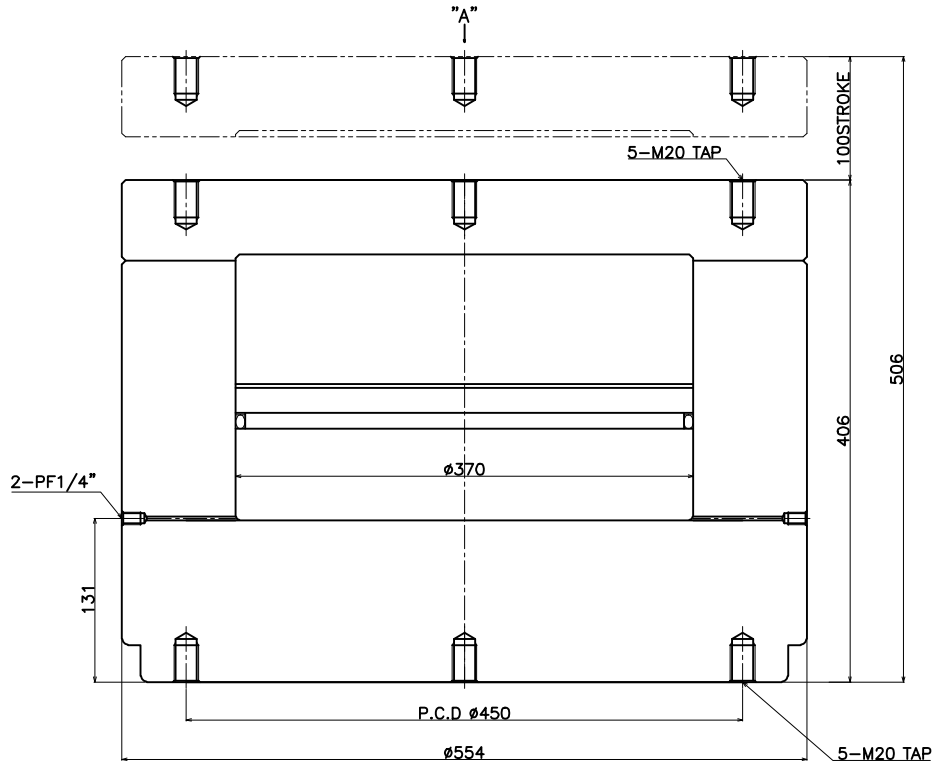


3000

SPECIFICATION	
MODEL NO.	HYD/S-1600100
CAPACITY	1600TON
STROKE	100mm
WEIGHT	about 750Kg

1600Ton*100St



VIEW "A"

전 진	
MAXIMUM PRESSURE	2000Kgf/cm ²
WORKING PRESSURE	1500Kgf/cm ²
사용 유 : 유압작동유 ISO46	

C.I.K.

ITEM No.