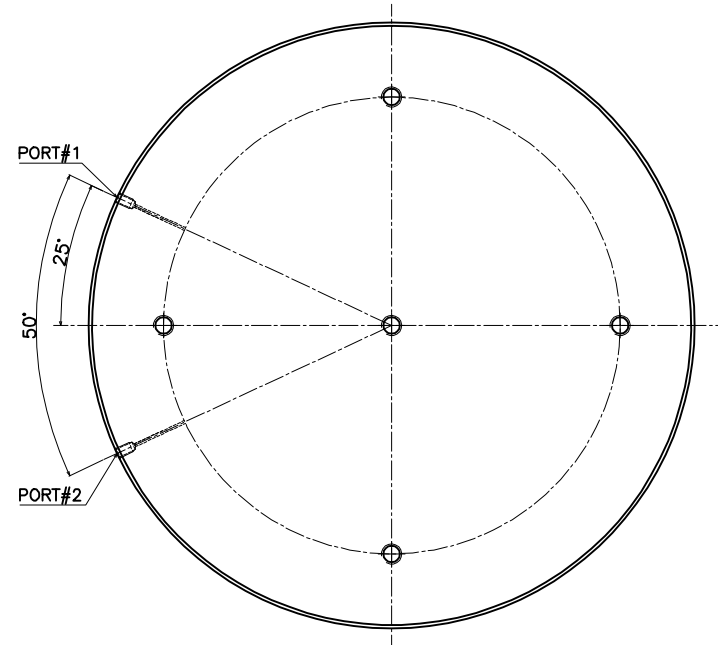
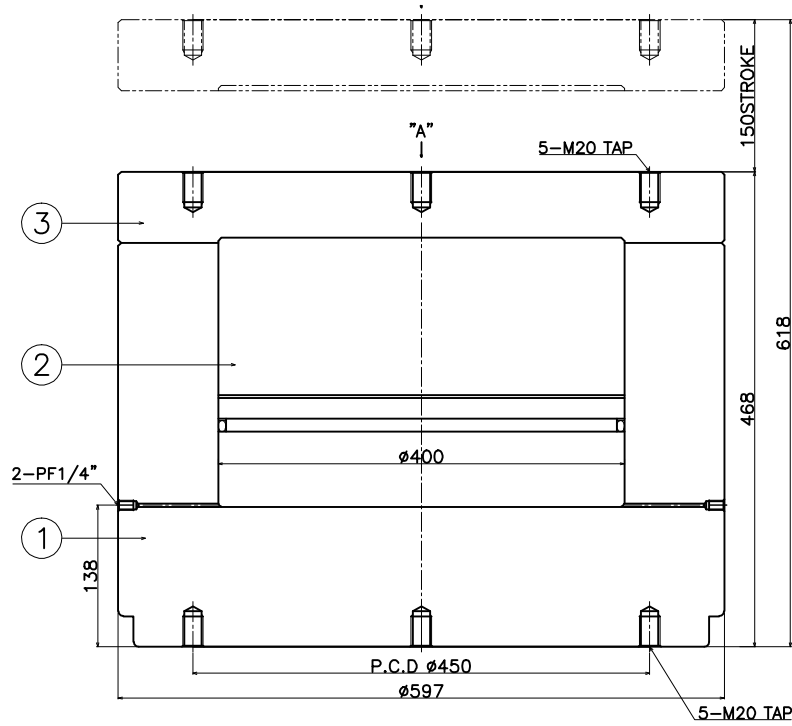


W 3000

- \* hydraulic cylinder
- capacity : 1800ton
- piston area(A) : 1256cm<sup>2</sup>
- maximum pressure : 2000kgf/cm<sup>2</sup>
- working pressure : 1500kgf/cm<sup>2</sup>
- stroke : 150mm
- hydraulic coupler : PF1/4"
- weight : about 990kg

NO.	DESCRIPTION	SPECIFICATION	MATERIAL	Q'TY	REMARKS
1	TUBE	φ597*393	SCM440	1EA	HYDMAG
2	PISTON	φ400*265	S45C	1EA	HYDMAG
3	COVER	φ597*75	SS400	1EA	HYDMAG

1800Ton\*150St



VIEW "A"

CUSTOMER		-	
PROJECT		HYDRAULIC CYLINDER	
APP'D		090624	TITLE
CHK'D		090624	
DES'D		090624	SCALE
DWN		090624	
DWG NO		KOR-HD01-00...	

ITEM No.