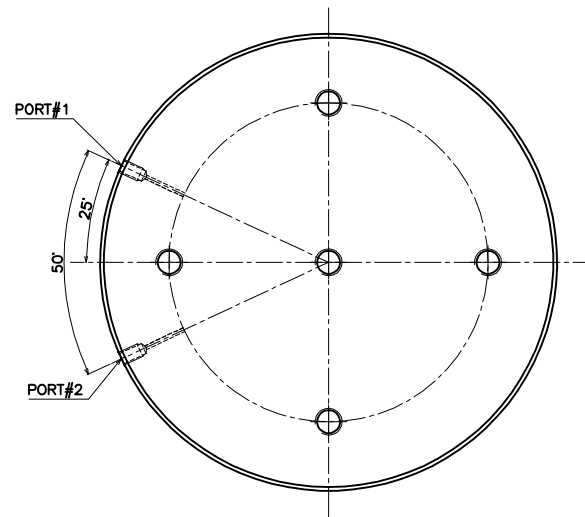
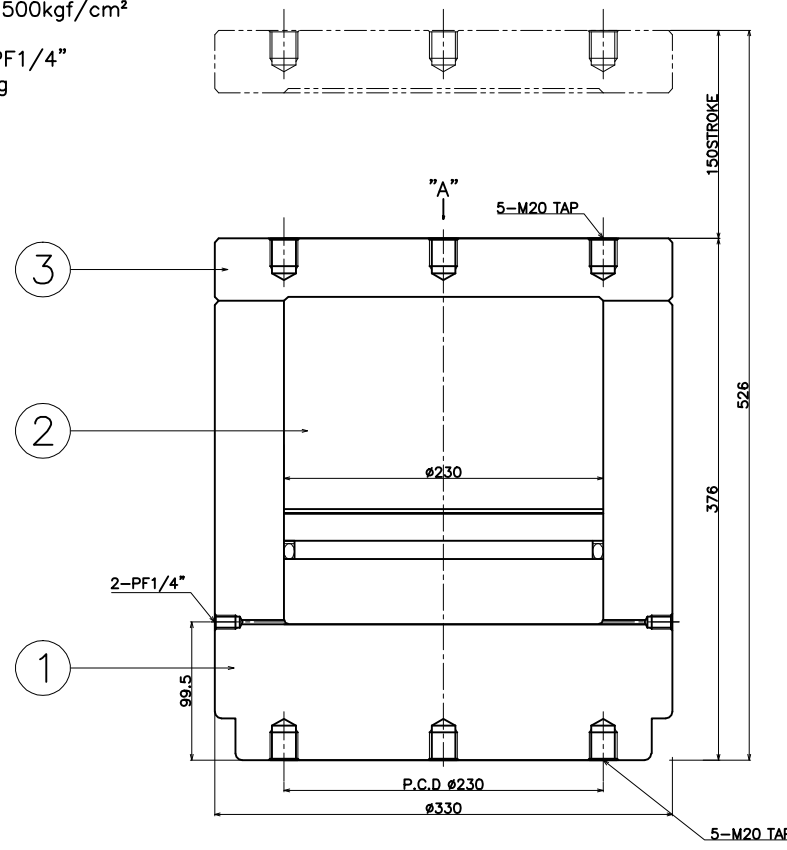


- \* hydraulic cylinder
- capacity : 600ton
- piston area(A) : 416cm<sup>2</sup>
- maximum pressure : 2000kgf/cm<sup>2</sup>
- working pressure : 1500kgf/cm<sup>2</sup>
- stroke : 150mm
- hydraulic coupler : PF1/4"
- weight : about 250kg

NO.	DESCRIPTION	SPECIFICATION	MATERIAL	Q'TY	REMARKS
1	TUBE	φ330*331	SCM440	1EA	HYDMAG
2	PISTON	φ230*236	S45C	1EA	HYDMAG
3	COVER	φ330*45	SS400	1EA	HYDMAG

600ton\*150St



VIEW "A"

CUSTOMER	-		
PROJECT	HYDRAULIC CYLINDER		
<b>Hydmac</b>		KOREA HYDMAG CORP.	
APP'D	000624	H.S.H	TITLE
CHK'D	000624	E.J.K	LAY - OUT
DES'D	000624	K.H.T	SCALE
DWN	000624	C.L.K	DWG NO
KOR-HID01-010		ITEM No.	