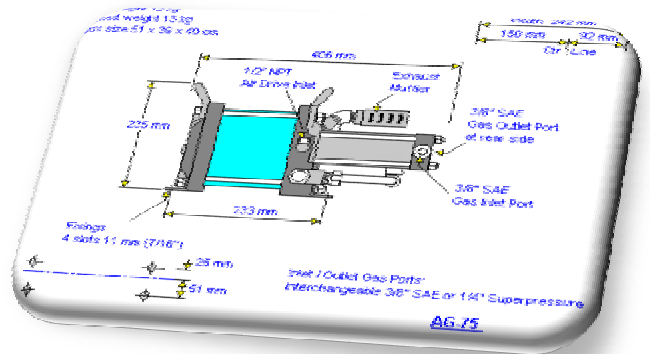


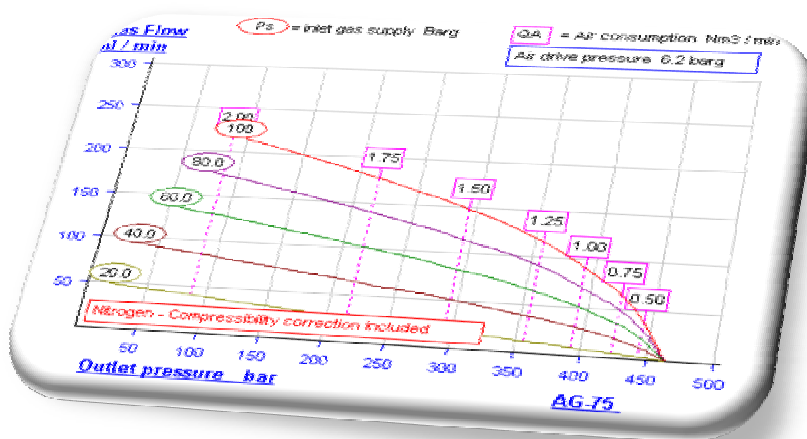


BOOSTER DWG



**** SPECIFICATION ****

- STANDARD N2 BOOSTER MODEL : **HHG-AG-75-P-S**
- WORKING PRESSURE (P-1) : **40Mpa. (400BAR)**
(AIR DRIVEN PRESSURE = 0.6Mpa AIR DRIVEN)
- WORKING PRESSURE (P-2) : **40Mpa. (400BAR)**
(GAS CONTROL TYPE : GAS REGULATOR CONTROL)
- MINIMUM GAS INLET PRESSURE : **1.77Mpa. (17.7BAR)**
- GAS BOOSTER M/K : **HASKEL ®**
- PRESSURE & FLOW RAGE (P=BAR , FL=nl/min)



- STANDARD GAS RECEIVER : **500ml STANLESS STEEL**
- PRESSURE GAUGE : AIR = 100mm X 1Mpa TYPE = BD
GAS INLET PRESSURE = 100mm X 15Mpa TYPE = BD
GAS OUTLET PRESSURE (P=1) = 100mm X 60Mpa TYPE = BD
GAS OUTLET PRESSURE (P=2) = 100mm X 60Mpa TYPE = BD